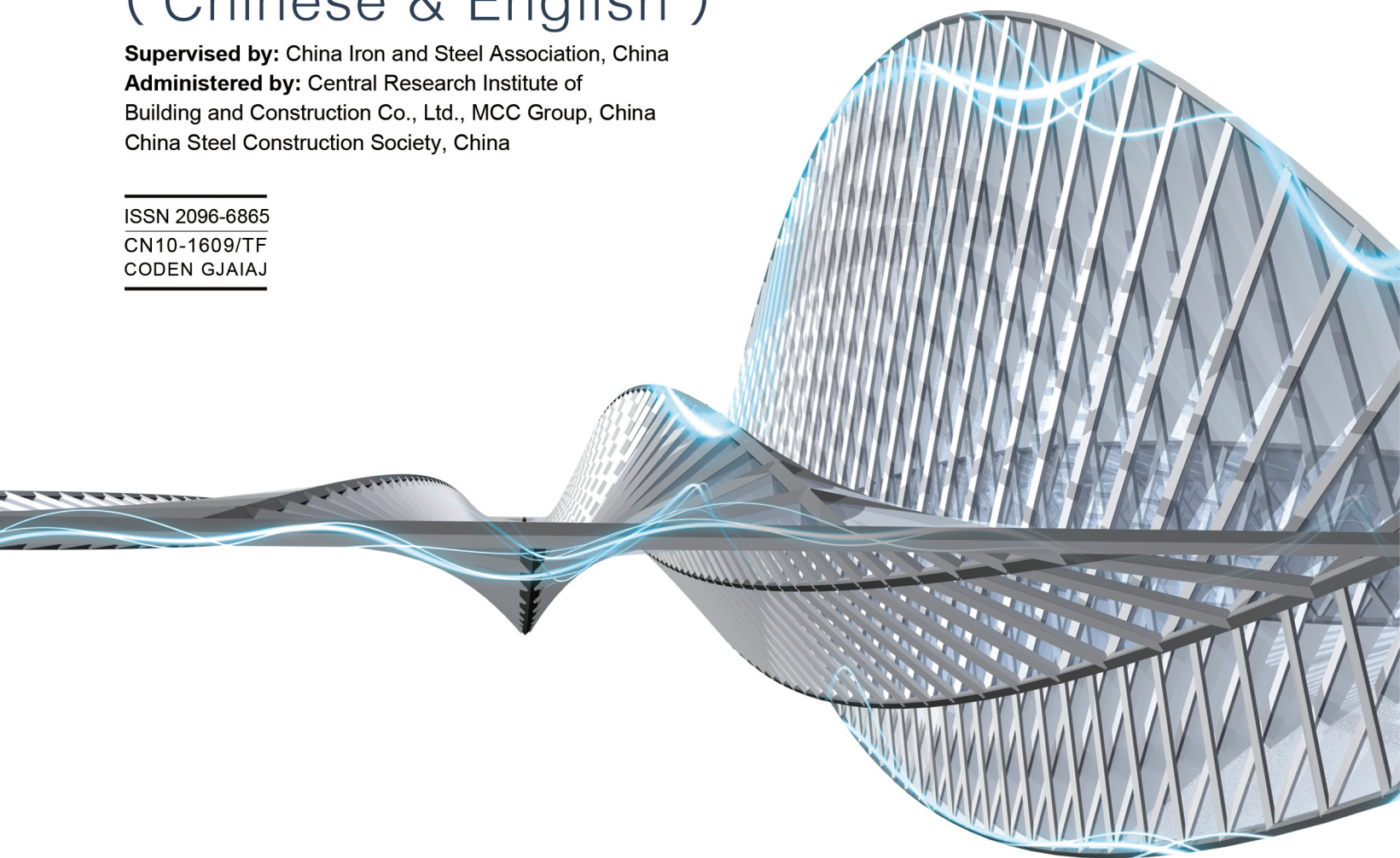


# steel construction ( Chinese & English )

**Supervised by:** China Iron and Steel Association, China  
**Administered by:** Central Research Institute of  
Building and Construction Co., Ltd., MCC Group, China  
China Steel Construction Society, China

ISSN 2096-6865  
CN10-1609/TF  
CODEN GJAI AJ



**2020.9**  
Vol.35 Total No.261

## 钢结构 (中英文)

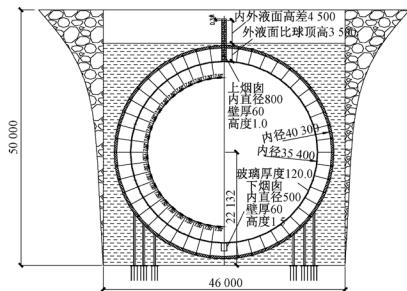
# 目录 Contents

## 设计

Design

- 1 江门中微子实验中心探测器主体结构方案研究  
张高明 刘枫 宋涛 钱基宏

Research on the Main Structure of the Central Detector of Jiangmen Underground Neutrino Observatory (JUNO)  
Gaoming Zhang Feng Liu Tao Song Jihong Qian



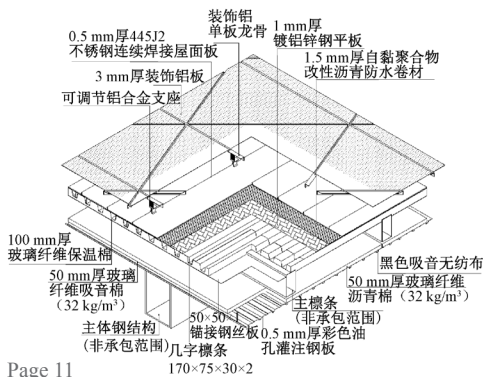
Page 2

## 科研

Research

- 10 金属屋面铝板抗风性能数值模拟研究  
赖燕德 张士翔 李庆祥 冯若强

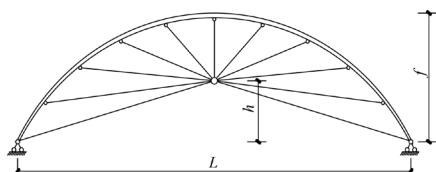
Numerical Simulation Investigation on Wind-Resistance Performance of the Metal Roof Aluminum Sheet  
Yande Lai Shixiang Zhang Qingxiang Li Ruoqiang Feng



Page 11

- 17 两铰圆弧车辐钢拱平面内弹塑性稳定设计  
窦超 成乐 韩杏萍 朱仰泽

In-Plane Elastic-Plastic Stability Design of Pin-Ended Circular Spoke Arches  
Chao Dou Le Cheng Xingping Han Yangze Zhu



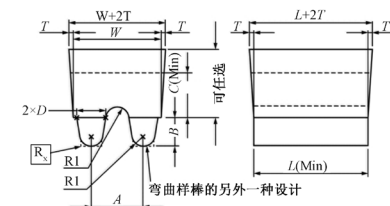
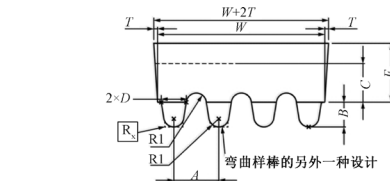
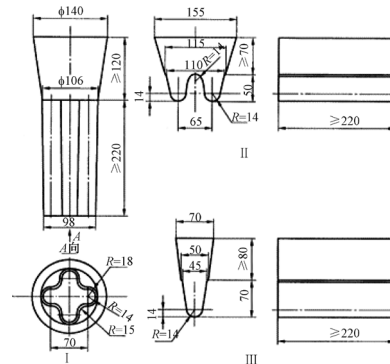
Page 18

## 中美钢结构规范对比研究

Comparison of Chinese and US Code

- 26 中美建筑钢结构钢材性能对比分析  
吴耀华

Performance Comparison of Structural Steels in Chinese and American Standards  
Yaohua Wu



Page 32

## 加工制作

Processing and Manufacturing

- 44 大跨径钢混组合箱梁工厂化制造关键技术  
李义成

The Key Technology for Factory-Production of Large-Span Steel-Concrete Box Girder  
Yicheng Li



Page 49

## 钢结构热点探析

Hot Spot Analysis of Steel Structures

- 52 多跑楼梯, 荷载要乘以放大系数?