

中国矿业



QK1713537

10

2016



全国中文核心期刊
中国科技论文统计源期刊
中国学术期刊综合评价数据库来源期刊
中国期刊全文数据库全文收录

第25卷 VOL25 增刊
ISSN1004-4051
CN11-3033/TD

HARDOX 悍达®

耐磨钢板

挑战严苛环境，成就极致性能。

----- 来自瑞典 SSAB 钢铁公司。



更多详细资讯
敬请添加微信关注



瑞钢钢板（中国）有限公司
地址：江苏省昆山市高新区元丰路123号
电话：+86 512 5012 8188
传真：+86 512 5012 8100
邮箱：contactchina@ssab.com

SSAB

ISSN 1004-4051



9 771004 405160



中国矿业
CHINA MINING MAGAZINE

2016年第25卷增刊2
(月刊) 1992年创刊

2017年6月增刊征稿启事

应广大作者要求,经北京市新闻出版局批准
《中国矿业》拟于2017年6月出版增刊一期,欢迎踊
跃投稿(标题后标明增刊)。

联系电话:010-68332570/88374941

投稿邮箱:www.chinaminingmagazine.com

主 管:国土资源部
主 办:中国矿业联合会
出 版:《中国矿业》杂志社有限公司
编 辑:中国矿业杂志编辑部
社 长:崔德文
总 编 辑:陈頌今
本期责任编辑:刘艳敏 赵奎涛
法律顾问:北京长安律师事务所 李玉红
编辑部电话:010-68332570
广告部电话:010-62211488
传 真:010-88374941
网 址:www.chinaminingmagazine.com
电子信箱:magazine@chinamining.org
地 址:北京市西直门北大街45号
时代之光名苑2号楼901
邮 编:100082
国际标准刊号:ISSN 1004-4051
国内统一刊号:CN11-3033/TD
邮发代号:2-566
国外代号:M3690
国内发行:北京市报刊发行局
国外发行:中国国际图书贸易总公司
印 刷:北京科信印刷有限公司
广告经营许可证:京西工商广字第8067号
订 阅:全国各地邮政局
定 价:15元
出版日期:2016年10月31日

目 次

矿业综述

- 全球铂资源供需形势分析及对策建议 王家鹏, 张洪川, 王建国, 等 (1)
- 我国石墨资源特点及储量前景 蔡惠慧, 李永胜, 罗小利 (5)
- 南美洲铜矿资源概况与勘查开发现状 张 潮, 陈玉明, 赵宏军 (9)
- 新形势下中国与中亚油气合作面临的挑战和前景展望 杨丽丽, 徐小杰 (12)
- 关于当前全球矿业资源市场的发展趋势思考 谢 艳 (17)

管理专论

- 矿业权市场构成要素及相互关系探析 秦元萍, 柳海华, 汪海波 (20)
- 矿业权出让监测分析指标体系研究 罗小利, 曾凌云, 史登峰 (23)
- 关于矿业权评估中评估基准日确定的相关因素探讨 柳海华, 秦元萍, 郑宗来 (28)
- 适应绩效管理的地质调查管理变革思考 吕晓岚, 王 文, 魏 翔, 等 (30)
- 事业单位建立以预算为核心的财务管理体系初探 姚云敏 (34)
- 地质调查项目财务内控体系建设研究 陈元旭, 马国雄, 张康登 (39)
- 对新财政体制下地质调查项目预算管理工作的探讨 佟 方 (43)
- 建立地质调查项目承担单位质量管理考评指标的探讨 刘玉霞, 葛 佐, 路玉林 (46)
- 地质调查项目合同管理研究 马国雄, 陈元旭, 李佳平 (50)
- 国际海底区域内勘探合同现状 邵明娟, 王淑玲, 张 炜, 等 (54)
- 部委级科学技术奖对地质调查成果评价的启示 吕晓岚, 马国雄, 魏 翔, 等 (58)
- 地勘单位适应国家事业单位分类改革的实践与思考 张润丽, 姚 震, 吕小婷 (62)
- 美国地质调查局地质信息产品概述 张明超, 李景朝, 左群超, 等 (66)
- 全国地质资料馆藏资料现状及服务趋势研究 高学正, 孔昭煜, 齐钊宇, 等 (73)
- 国土资源档案管理现状与对策研究 刘思宇 (77)
- 省级实物地质资料管理服务现状与工作建议 任香爱, 高建伟 (80)
- 地质资料属性及其社会化服务价值研究 齐钊宇, 吴 轩, 商云涛, 等 (85)
- 推进我国地质资料社会化服务工作的思考 孙克峰, 彭 媛 (89)
- 国家地质资料数据中心构建研究 孔昭煜, 商云涛, 高学正, 等 (92)
- 大数据环境下数字地质资料馆构建及发展趋势研究 吴 轩, 齐钊宇, 李晨阳 (97)
- 基于Geo3DML的三维地质模型数据管理研究 王想红, 屈红刚, 王占刚 (100)
- 石油行业数据库资源建设的策略与技术方法 郑凯洲 (104)
- 石油工程项目管理模式研究 牛小芳 (110)
- 浅谈云南省移动通信基站辐射环境监管与环评工作 张召文 (113)

经济研究

- 我国矿产资源综合区划模型与实证研究 周 璞, 侯华丽, 刘天科 (115)
- 浅谈国家保护性开采特定矿种的内涵及外延 方一平, 张福良, 李晓宇, 等 (120)
- 昆仑山-阿尔金山矿产资源开发动态变化 杨宇鸿, 高会军, 强建华 (125)
- 内蒙古萤石矿资源开发利用动态分析与建议 孙玉梅, 郝俊峰 (130)

本刊声明

作者所投稿件文责自负(含图片)。本刊有出电子版、网络版以及与本站技术交流和各数据库合作的权力。如不同意将文章收入,请作者在来稿时声明。

澳大利亚和加拿大矿业租税制度调整分析及借鉴	范振林, 马茁卉, 黄建华 (133)
土库曼斯坦投资环境分析	吴楠, 佟方, 金玺 (138)
国际石油公司深海油田勘探开发策略分析	陆文明 (142)
产业发展与减少贫困研究的文献综述	崔湛钜 (146)
地质调查领域推进供给侧结构性改革路径探索	姚震, 张润丽 (150)
浅议实物资产合作形式的风险分析	赵颖慧, 王海洋, 房伟 (152)
绿色矿业	
有色金属行业绿色矿山采矿技术现状	吴鹏, 胡建军 (154)
我国地下水污染治理技术研究综述	刘琴, 刘文芳 (158)
某铜铅锌多金属矿铜铅分离绿色清洁抑制剂应用研究	叶岳华, 王立刚, 李成必 (163)
生态文明建设下矿山企业社区和谐发展的讨论	龚艺馨 (166)
地质找矿	
蚀变-流体地质填图研究现状及方法探讨: 兼论九瑞矿集区海西期喷流沉积流体系统	贾丽琼, 徐文艺, 杨丹, 等 (169)
漠河盆地冻土区天然气水合物地球化学特征及意义	唐瑞玲, 张富贵, 杨志斌, 等 (177)
胶东牟乳成矿带金矿床石英热释光特征及意义	薛建玲, 李胜荣, 崔举超 (183)
东北地区钼矿的时空分布及成矿背景分析	孙海瑞, 严光生, 吕志成, 等 (189)
内蒙古查干敖包锌铁多金属矿床地质特征及成矿模型	李伟, 刘日正, 寇利民, 等 (197)
青海省祁连县红土沟-川刺沟金矿床矿石特征及其加工技术研究	王晓, 庄光军 (203)
祁连玉龙滩晚志留世龙王山系列侵入岩地球化学特征及其地质意义	夏楚林, 彭润民, 任二峰, 等 (207)
云南勐撒煤矿区伴生锆的赋存特征及成因分析	唐超, 邵龙义 (212)
河北迁安常州沟组底砾岩特征及成因分析	肖峻文, 武法东, 陈永进 (217)
城口地区页岩含气特征及影响因素研究	张志平, 曾春林, 程礼军 (222)
酸解烃技术在青海祁连山天然气水合物勘探中的应用	张富贵, 杨志斌, 唐瑞玲, 等 (227)
我国地质灾害图研究现状及趋势分析	郑凯航, 朱月琴, 张和生, 等 (234)
采选技术	
深部充填开采覆岩移动规律及其对地表构筑物影响性研究	原野, 王贺, 解联库, 等 (240)
阶段空场嗣后充填采场底部结构受开采扰动规律研究	吴姗 (246)
开采沉陷预计参数的广适性 BP 神经网络反演方法	张涛, 胡海峰, 廉旭刚 (251)
大规模地下采矿对露天-井工协同开采影响分析	于世波, 万串串, 解联库, 等 (256)
金源矿区房柱法开采围岩稳定性分析	苗胜军, 王浩, 王子木, 等 (259)
特厚松散层大深采条件下地表移动规律实测研究	杨俊鹏 (263)
盐矿地下开采矿柱设计的极限平衡法	王贺, 曹辉, 于世波, 等 (267)
新安煤矿首采工作面顶板岩层富水性探测及涌水量评价	侯文高, 曹始友, 高旭波 (270)
高台阶抛掷爆破数值模拟研究	汪义龙, 方芳, 彭培柱, 等 (273)
楚烽磷矿试验盘区采空区隐患治理的实践与思考	王湖鑫, 倪小山, 杨成, 等 (277)
基于模糊聚类及 BP 神经网络的采矿方法选择研究	吴姗, 郭利杰 (281)
钻孔抽注液量增大对浸出液铀浓度的影响分析	李兵, 郝志华, 陈勇 (286)
溜井封堵压力分析及其工程应用	于世波, 陈何, 曹辉, 等 (290)
某铁矿全尾砂胶结充填材料配比试验研究	李欣, 郭利杰, 许文远 (294)
应用旋流分级试验确定筑坝尾矿技术参数	杨超, 郭利杰, 史采星, 等 (299)
内蒙古某银锌矿选矿试验研究	刘水红 (303)
矿业纵横	
遥感技术在乌达煤火变化监测中的应用	陈氏, 王宁, 方利, 等 (308)
基于离散元法的立轴破碎机磨损机制研究	吕龙飞, 侯志强, 廖昊 (312)
归一化植被指数时序数据拟合算法对比分析	李晶, 邵文飞, 秦元萍, 等 (317)
低序级断层识别技术在稠油难采区块研究中的应用	夏波, 高荣锦, 史海涛 (324)
大数据时代对地质灾害监测预警的思考	陈岩 (328)
中国敦煌世界地质公园地质遗迹调查及评价	于延龙, 武法东, 王彦洁 (331)
内蒙古萨拉乌苏地区地质遗迹评价及开发利用模式探讨	韩晋芳, 田明中, 武法东 (334)
基于通信网络的地质调查视频会议系统研究	高志新, 吴晓红, 尹兆峰, 等 (340)
三维地质建模及可视化研究在城市地质工作中的应用探讨	唐超 (347)
《遥感原理与应用》教学平台的建设与实践	雷浩川 (351)

CHINA MINING MAGAZINE

Volume 25, Supplement, October, 2016

CONTENTS

Analysis of global molybdenum resource supply and demand structure and some suggestions	WANG Jia-peng, ZHANG Hong-chuan, WANG Jian-guo, et al (1)
The characteristics and prospect of reserves of graphite resources in China	CAI Hui-hui, LI Yong-sheng, LUO Xiao-li (5)
Overview of the copper resources and actuality of exploration in South America	ZHANG Chao, CHEN Yu-ming, ZHAO Hong-jun (9)
Challenges and prospects of oil and gas cooperation between China and Central Asian countries under new situation	YANG Li-li, XU Xiao-jie (12)
Thinking about the trend of the current global mining resources market	XIE Yan (17)
Study on the functions and interrelation of the constituent elements of mining rights market	QIN Yuan-ping, LIU Hai-hua, WANG Hai-bo (22)
Research on index system of monitoring and analysis of mineral rights transfer	LUO Xiao-li, ZENG Ling-yun, SHI Deng-feng (23)
Discussion on the factors related to the determination of valuation date in the evaluation of mining rights	LIU Hai-hua, QIN Yuan-ping, ZHENG Zong-lai (28)
Reflection on the changes of geological survey management suitable for performance management	LV Xiao-lan, WANG Wen, WEI Xiang, et al (30)
Preliminary study on the establishment of financial budget management system in national public institutions	YAO Yun-min (34)
Prospect of the research on the construction of financial internal control system of geological survey	CHEN Yuan-xu, MA Guo-xiong, ZHANG Kang-deng (39)
Discussion on the budget management of geological survey project in the new financial system	TONG Fang (43)
Discussion on the establishment of evaluation index of quality management of geological survey project	LIU Yu-xia, GE Zuo, LU Yu-lin (46)
Research on the geological survey project management	MA Guo-xiong, CHEN Yuan-xu, LI Jia-ping (50)
Status of exploration contract in the "area"	SHAO Ming-juan, WANG Shu-ling, ZHANG Wei, et al (54)
Enlightenment of the evaluation of geological survey in ministerial science and technology award	LV Xiao-lan, MA Guo-xiong, WEI Xiang, et al (58)
Thinking and practice about geological prospecting units adapting to country institution classification reformation	ZHANG Run-li, YAO Zhen, LV Xiao-ting (62)
Overview of the geological information products of USGS	ZHANG Ming-chao, LI Jing-chao, ZUO Qun-chao, et al (66)
Research into the development of geological data collection and service in the National Geological Archives of China	GAO Xue-zheng, KONG Zhao-yu, QI Fan-yu, et al (73)
Research on current situation and countermeasures of land and resources archives management	LIU Si-yu (77)
The management and service status and suggestion of provincial physical geological data	REN Xiang-ai, GAO Jian-wei (80)
Research on property and social service values of geological data	QI Fan-yu, WU Xuan, SHANG Yun-tao, et al (85)
Consideration about promoting geological data socialized services work in China	SUN Ke-feng, PENG Jiao (89)
Research on construction of national geological data center	KONG Zhao-yu, SHANG Yun-tao, GAO Xue-zheng, et al (92)
Research on construction and development of digital geological archives in a BIG DATA environment	WU Xuan, QI Fan-yu, Li Chen-yang (97)
Research on data management of three-dimensional geological model based on Geo3DML	WANG Xiang-hong, QU Hong-gang, WANG Zhan-gang (100)
The strategy and technology of database resources construction in petroleum industry	ZHENG Kai-zhou (104)
Study on the management model of petroleum engineering project	NIU Xiao-fang (110)
Discussion on environmental regulation and environmental impact assessment of mobile communication base in Yunnan province	ZHANG Zhao-wen (113)
Model and empirical study on comprehensive regionalization of mineral resources in China	ZHOU Pu, HOU Hua-li, LIU Tian-ke (115)
Discussion on the connotation and extension of national protective minerals	FANG Yi-ping, ZHANG Fu-liang, LI Xiao-yu, et al (120)
The dynamic change of mineral resources exploitation in Kunlun-Altun mountains	YANG Yu-hong, GAO Hui-jun, QIANG Jian-hua (125)
Suggestion and the dynamic analysis of exploitation and utilization of fluorite resources in Inner Mongolia	SUN Yu-mei, HAO Jun-feng (130)
Analysis of adjusting the mining tax system in Australia and Canada	FAN Zhen-lin, MA Zhuo-hui, HUANG Jian-hua (133)
Analysis of the investment environment of Turkmenistan	WU Nan, TONG Fang, JIN Xi (138)
Strategic analysis of exploration and development of deepwater oilfields in international oil companies	LU Wen-ming (142)
A review on the industrial development and poverty reduction	CUI Zhan-ju (146)
The path to promote the "supply-side structural reform" in geological survey field	YAO Zhen, ZHANG Run-li (150)
Risk analysis of cooperation in form of tangible asset contribution	ZHAO Ying-hui, WANG Hai-yang, FANG Wei (152)
The current situation of mining technology in nonferrous metal industry green mines	WU Peng, HU Jian-jun (154)
Review on the groundwater pollution treatment technology in China	LIU Qin, LIU Wen-fang (158)
Application of the greening—cleaning depressor on the copper lead separation of the copper-lead-zinc polymetallic ore	YE Yue-hua, WANG Li-gang, LI Cheng-bi (163)
Analysis of the development of community harmony of the mining enterprises in China	DOU Yi-xin (166)
Discussion on the research status and method of alteration-fluid geological mapping and Hercynian exhalative-sedimentary fluid system in Jiu-	

jiang-Ruichang ore concentration area	JIA Li-qiong, XU Wen-yi, YANG Dan, et al (169)
Geochemical characteristics of the gas hydrate in the permafrost area of Mohe basin and its significance	TANG Rui-ling, ZHANG Fu-gui, YANG Zhi-bin, et al (177)
Research on the characteristics of quartz thermoluminescence of the gold deposits in Mouping-Rushan gold belt, Jiaodong peninsula	XUE Jian-ling, LI Sheng-rong, CUI Ju-chao (183)
Analysis of the spatial and temporal distribution and metallogenetic background of molybdenum deposits in Northeast China	SUN Hai-ru, YAN Guang-sheng, LV Zhi-cheng, et al (189)
Geological characteristics and metallogenetic model of Chaganaobao Fe-Zn polymetallic ore deposits in Inner Mongolia	LI Wei, LIU Ri-zheng, KOU Li-min, et al (197)
Study on the ore features and processing technologies of Hongtugou-Chuancigou gold deposit in Qilian county, Qinghai province	WANG Xiao, ZHUANG Guang-jun (203)
Analysis of geochemistry and its genetic significance of the late Silurian Longwanshan intrusions in the Yulongtan area, Qilian mountain	XIA Chu-lin, PENG Run-min, REN Er-feng, et al (207)
Occurrence characteristics and genesis analysis of the germanium in Mengsa coal deposit in Yunnan province	TANG Chao, SHAO Long-yi (212)
Characteristics of basal conglomerate of the Changzhougou formation and its genesis analysis in Qianan, Hebei province	XIAO Jun-wen, WU Fa-dong, CHEN Yong-Jin (217)
Research into the characteristics and influencing factors of shale gas in Chengkou area	ZHANG Zhi-ping, ZENG Chun-lin, CHENG Li-jun (222)
Application of hydrocarbon acidolysis technique to gas hydrate exploration in the Qilian mountain permafrost, Qinghai, China	ZHANG Fu-gui, YANG Zhi-bin, TANG Rui-ling, et al (227)
Analysis of status and trends of the geo-hazard map in China	ZHENG Kai-hang, ZHU Yue-qin, ZHANG He-sheng, et al (234)
Research on distortion rule and characteristics of surface protection under deep filling mining	YUAN Ye, WANG He, XIE Lian-ku, et al (240)
Research into the disturbance of bottom structure by excavation in sublevel open stoping backfilling	WU Shan (246)
Wide adaptive BP neural network method for mining subsidence prediction parameters inversion	ZHANG Tao, HU Hai-feng, LIAN Xu-gang (251)
Analysis of large-scale underground mining for coordinated mining of open-pit	YU Shi-bo, WAN Chuan-chuan, XIE Lian-ku, et al (256)
Stability analysis of surrounding rock stability of pillar mining in Jin Yuan mining area	MIAO Sheng-jun, WANG Hao, WANG Zi-mu, et al (259)
Research on the law of surface movement and deformation under the condition of extra thick loose layer thick and great mining depth based measured data	YANG Jun-peng (263)
The pillar design method in underground rock-salt mining based on limit equilibrium	WANG He, CAO Hui, YU Shi-bo, et al (267)
Water detection and water inflow evaluation of first coalface roof in Xin'an coal mine	HOU Wen-gao, CAO Shi-you, GAO Xu-bo (270)
Research into numerical simulation of explosion with high bench	WANG Yi-long, FANG Fang, PENG Pei-zhu, et al (273)
Practice of treatment of mining goaf in Chufeng phosphate mine	WANG Hu-xin, NI Xiao-shan, YANG Cheng, et al (277)
Mining method optimization based on the fuzzy clustering and the BP neural network	WU Shan, GUO Li-jie (281)
The effect of the pumping and pouring volume rising on the uranium concentration	LI Bing, HAO Zhi-hua, CHEN Yong (286)
Analysis and engineering application of blocking pressure of ore-pass	YU Shi-bo, CHEN He, CAO Hui, et al (290)
Proportioning test study on the material of unclassified tailings cemented filling for an iron mine	LI Xin, GUO Li-jie, XU Wen-yuan (294)
Application of hydrocyclone classification test in determining the technical parameters of tailings damming	YANG Chao, GUO Li-jie, SHI Cai-xing, et al (299)
Study on mineral processing of some silver-zinc ore in Inner Mongolia	LIU Shui-hong (303)
Application of remote sensing on coalfield fire monitoring in Wuda	CHEN Min, WANG Ning, FANG Li, et al (308)
Research into the wear mechanism of vertical shaft impactcrusher rotor based on DEM	LV Long-fei, HOU Zhi-qiang, LIAO Hao (312)
Analysis of the fitting algorithm of NDVI time series data	LI Jing, TAI Wen-fei, QIN Yuan-ping, et al (317)
Application of low level fault identification technologies in the hard-to-recover reserves of heavy oil	XIA Bo, GAO Rong-jin, SHI Hai-tao (324)
Discussion on the development of geological hazard monitoring and early warning in the time of big data	CHEN Yan (328)
Investigation and evaluation of geological relics in Dunhuang global geopark	YU Yan-long, WU Fa-dong, WANG Yan-jie (331)
Evaluation and utilization pattern of geological heritage in Sharawusu, Inner Mongolia	HAN Jin-fang, TIAN Ming-zhong, WU Fa-dong (334)
Study on the geological survey video conference system overcommunication network	GAO Zhi-xin, WU Xiao-hong, YIN Zhao-feng, et al (340)
Application of 3D geological modeling and visualization in urban geology	TANG Chao (347)
The platform construction of teaching and practicing about remote sensing principle and application	LEI Hao-chuan (351)

CHINA MINING MAGAZINE

SPONSOR: China Mining Association

EDITORIAL OFFICE

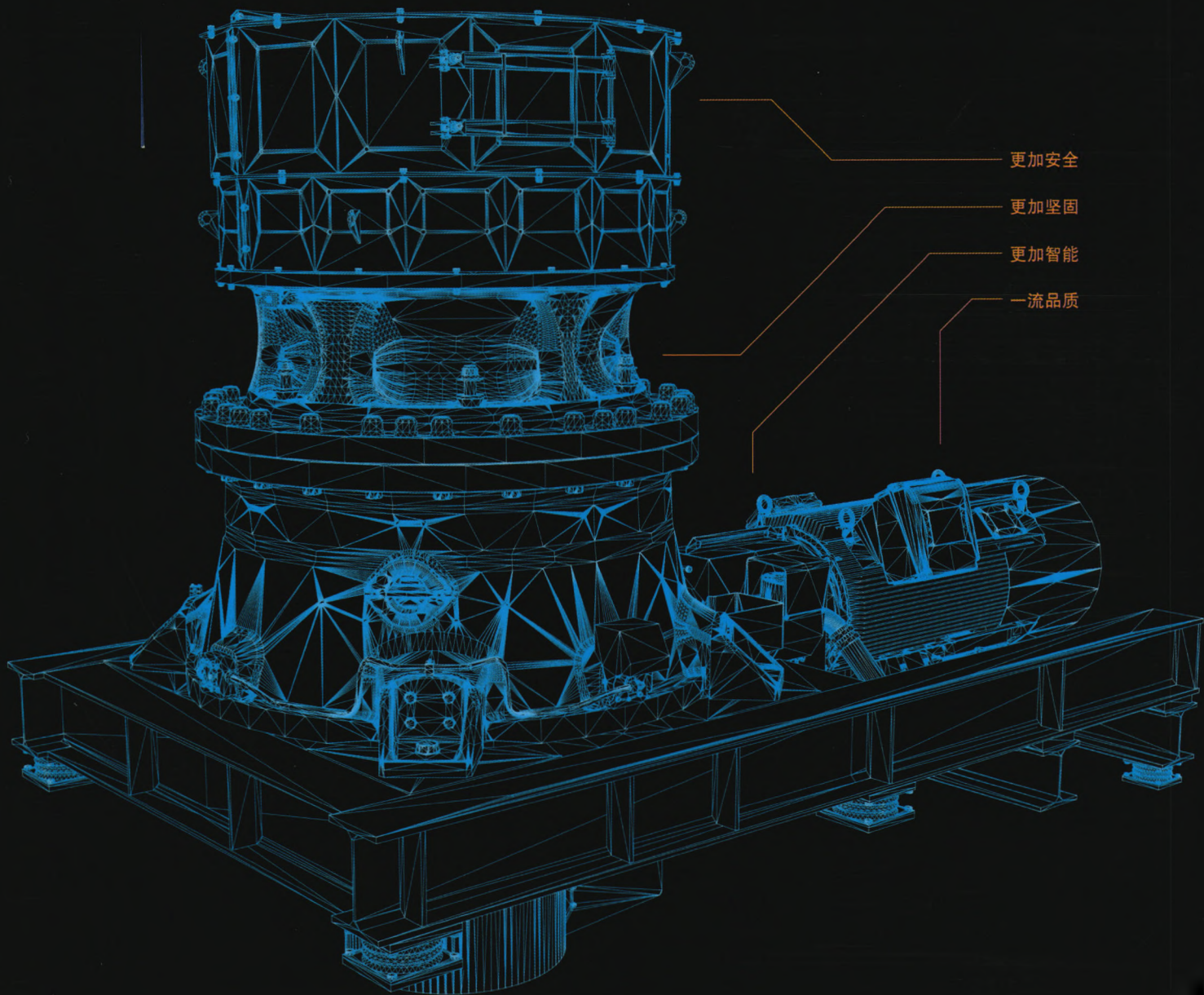
Vice director and chief editor: Chen Songjin

Address: Room 901, Building 2 of Ever Flash Tower, No. 45 Xizhimen North Street, Haidian District, Beijing, 100082

GENERAL DISTRIBUTOR

China International Book Trading Corporation

(GUOJI SHUDIAN) -P. O. Box 399, Beijing, China



更加安全

更加坚固

更加智能

一流品质

千锤百炼 卓尔不群

山特维克圆锥破碎机 CH860 & CH865
性能卓越，事半功倍

两款代表新技术水平的中型矿用圆锥破碎机山特维克CH860 & CH865
将会超越您的预期，实现您提高产量的愿望。

登录 www.sandvik.com/outperform，
了解更多有关山特维克CH860 & CH865圆锥破碎机的信息。
您也可以致电当地山特维克矿山销售公司。

